

TOGGLER® PICTURE HOOK ANCHORS

The unique TOGGLER Speciality anchor with BUILT-IN picture hook....

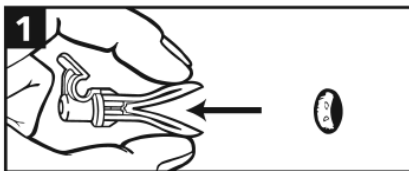
Based on the original TOGGLER Hollow Wall Anchor and incorporating all of the key benefits such as vibration-proof anchoring of light to medium loads in hollow walls, providing a secure hold even when they encounter an unexpected solid, and key-activated positive locking *before* inserting the screw; however, the **TOGGLER Picture Hook Anchors** benefit from a **built-in picture hook**, making them the perfect choice for hanging pictures, clocks and cabling **with NO NEED for additional fixtures!**

Choose the TOGGLER Picture Hook Anchor when you require fast installation for light loads. For heavy loads use TOGGLER SNAPTOGGLE® toggle bolts for the highest hollow-wall holding strength.

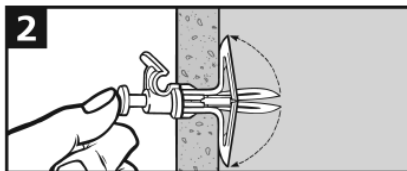
Benefits:

- **Built-in Picture Hook**—NO NEED for additional fixtures
- **Strong** over-centre load bearing truss—reinforces the wall & leads the load away from the hole
- **Vibration & shock proof**—won't damage walls/ceilings
- Use a screw gun—anti-rotation fins **prevent spinning**
- **Greatest grip range** for a picture hook
- Accepts a **great range of screw sizes**
- **Installs in only a small 8mm hole**
- Pre-install **without the screw**—Key-activated **positive** locking system
- Screw can be **removed and reinserted** in same anchor without loss of holding power
- **Corrosion-proof** when used with stainless steel screws

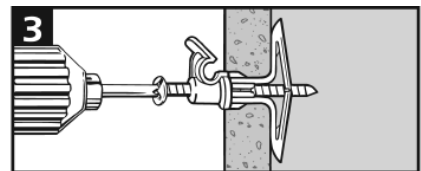
Installation



1 Drill 8mm diameter hole. Fold anchor in middle. Insert anchor in hole and tap flush.



2 Insert key to pop anchor open behind hollow wall (not necessary for thick or solid walls). **Do not hammer key.** Remove key.



3 Insert screw and tighten until flush with hook head—then stop. **Do not overtighten.**

Specifications

Material — Specially formulated grade of **self-lubricating, translucent** polypropylene that blends into wall colour & texture

Non-conductive (Dielectric constant $2.30 \times 10^9 \text{Hz}$), allowing safe anchoring of electrical apparatus

Non-corrodible (safely used with stainless steel screws in corrosive environments)

Toughness with elasticity, even at temperature extremes in the range from **-28°C to 100°C**

Low friction, self-lubricating — **facilitates screw insertion**

Screw specification — Use any sheet metal screw or other screw from 3.5-6.0mm diameter with a minimum 38mm thread length

Grip Range — 9.5-13mm

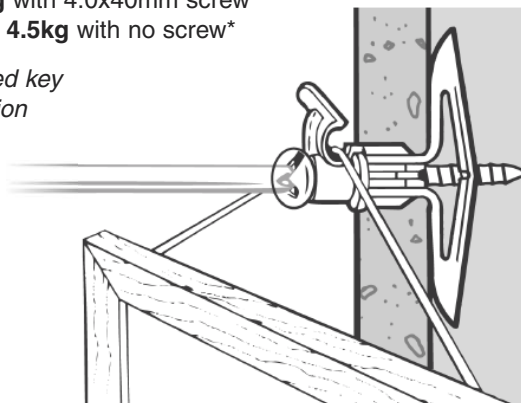
Setting Keys — 

Use the red [TK] setting key for setting TH anchors in hollow walls within their grip range.

Behind the wall clearance for operation — 19mm

Holding Load Values — **18kg** with 4.0x40mm screw
max **4.5kg** with no screw*

*when toggled with the supplied key into a fully open, locked position



Grip Range
9.5 to 13mm

- **Vibration-proof & shock-proof**
- **Won't destroy or damage walls**